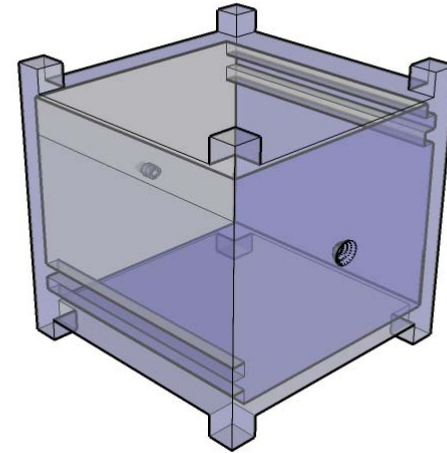
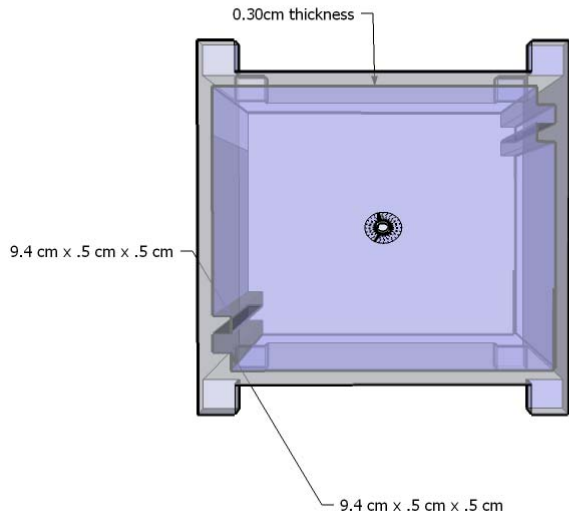


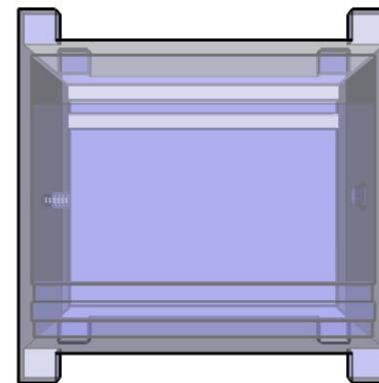
TOP VIEW



COLUMBUS HIGH SCHOOL CUBESAT TUMBLING EXPERIMENT



FRONT VIEW



SIDE VIEW

Engineering Drawing Tumbling Satellite Test for Reduced Gravity Flight, version 1.0, February 12, 2005
 Student Team: Chase Betack, Simon Clark, Heather Sigmund, Clay Willoughby
 Teacher Team: Luther Richardson, Dr. Chris Spraggins, Gail Sinkule